

SKU#0400

WEIGHT 2.8KG



FALZ CUTTER

STANDART DOUBLE SEAMING PROFILE CUTTING MACHINE

BUSCHMANN TOOLS
INVENTION
PRODUCTION

MADE BY

FALZ CUTTER

ENG

Falz Cutter is intended for double-lock standing seam metal roof dismantling, It dissects double-lock standing seam connection places.

Falz Cutter can be positioned at any double-locked standing seam point which makes it possible not only to remove connection places of the roof, but to cut out area for various types of needs for example ventilation shafts and roof windows.

TECHNICAL DATA

- WEIGHT 2.8 KG

MAX. THICKNESS

- STAINLESS STEEL: 0.5 MM
- ALUMINUM, COPPER, ZINC: 0.8 MM
- STEEL: 0.7 MM

- We recommend using a cordless drill with a torque of 110 Nm and more
- Minimum torque of 60 Nm for soft roof segment

MAX. SPEED

- 30 M / MIN
- ROOF 100 M² / 7

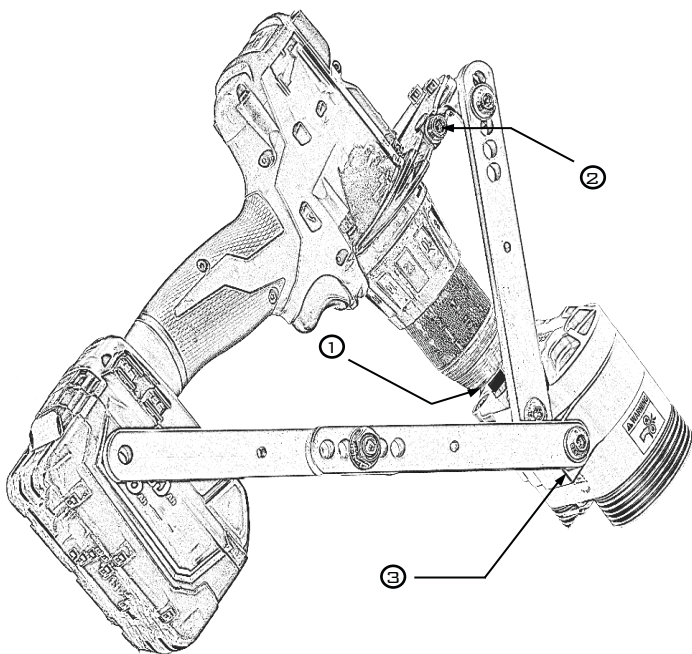


THE TOOLS ARE NESTED INSIDE MILITARY GRADE CASES WITH SAFETY FOAM.

IP67 RATING

MIL SPECS

DEF STAN 81-41
STANAG 4280



When setting up the FALZ CUTTER we must remove and make sure that cordless drill accumulator is removed from the Accumulator drill machine

Only when we are definitely sure that everything is connected properly only then we place the battery inside the cordless drill machine and start working!

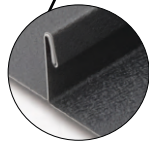
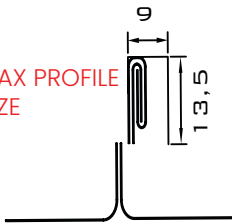
- ① Position the cordless drill machine on the 10mm rotating hex cap head axle and tighten it.
- ② Tighten the cordless drill inside the Holder with the key that comes with the the tool. The holder must be tightened until the holder sides stops against the cordless drill machine.
- ③ Adjust and Tighten the stabilization bar. One side must be positioned right by the Falz Cutter specific side and other side must adjusted right by the Drill machine angle so the stabilization bar stops by Accumulator drill machine.

BEFORE INSERTING THE BATTERY IN CORDLESS DRILL MACHINE, READ THE MANUAL

“IMPORTANT SAFETY INFORMATION FOR OPERATING THE FALZ CUTTER”

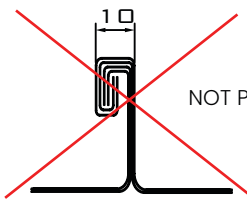
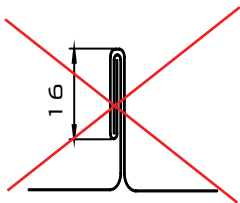


MAX PROFILE
SIZE



Make sure the profile
side is correct which is
always left side

STANDART DOUBLE SEAMING PROFILE



NOT POSSIBLE

SINGLE STEP CUTTING IS NOT POSSIBLE, BECAUSE OF MAXIMUM DIMENSION
LIMITATIONS